

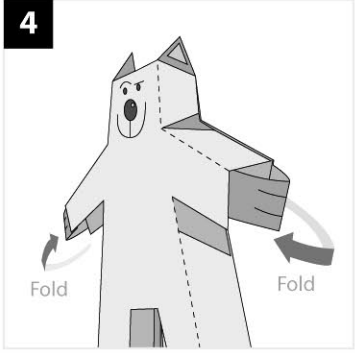
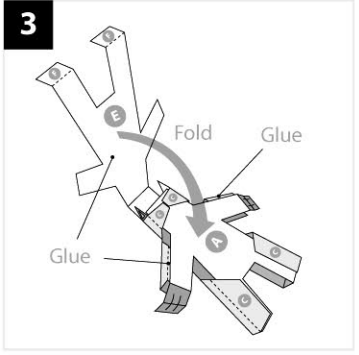
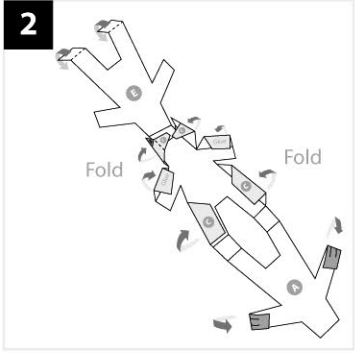
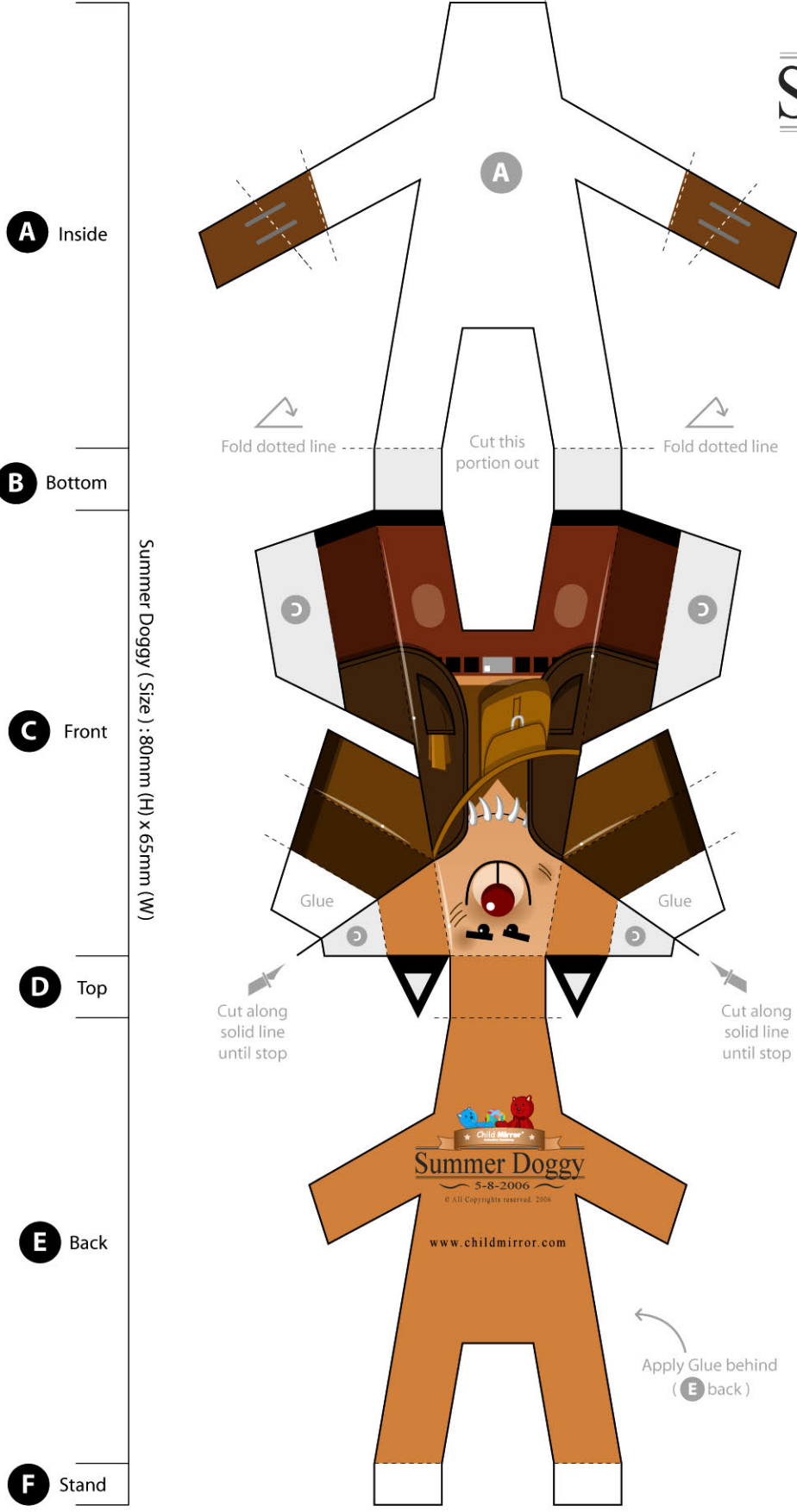


Child Mirror[®]
Animation Workshop

Summer Doggy

5-8-2006

1 Start here
Cut along the solid line



Apply adhesive to footprint to help Summer Doggy to stand.

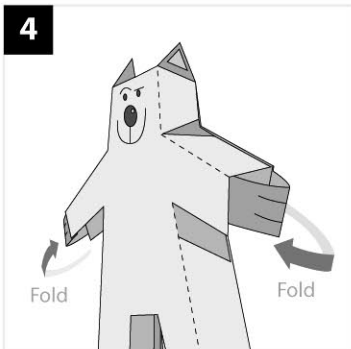
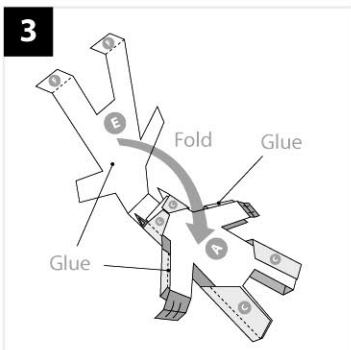
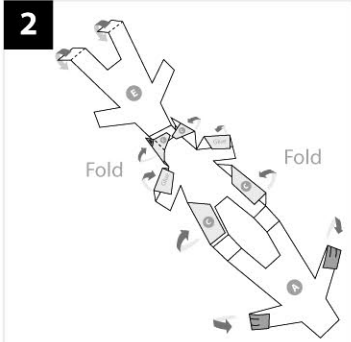
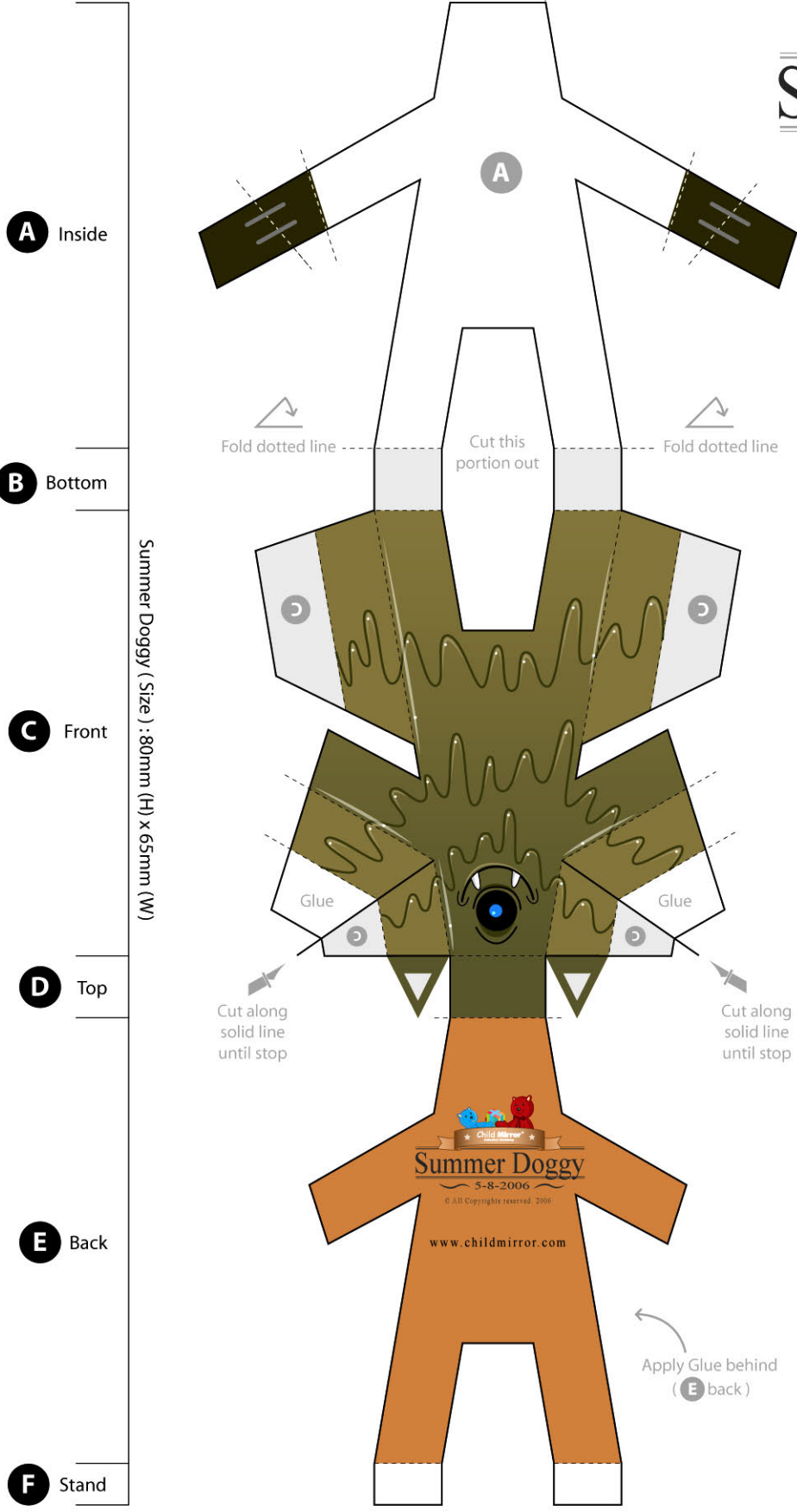
Caution: Always cut with a sharp knife to avoid damage to your Summer Doggy and for children please ask assistance from your parents.



Summer Doggy

5-8-2006

1 Start here
Cut along the solid line



Apply adhesive to footprint to help Summer Doggy to stand.

Caution: Always cut with a sharp knife to avoid damage to your Summer Doggy and for children please ask assistance from your parents.



Summer Doggy

5-8-2006

1 Start here
Cut along the solid line

A Inside

B Bottom

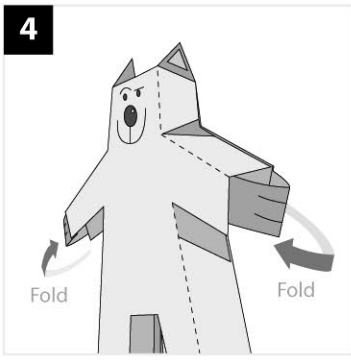
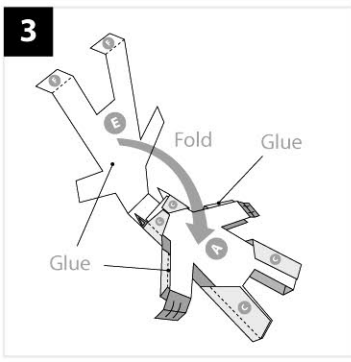
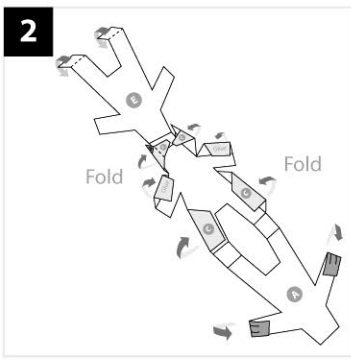
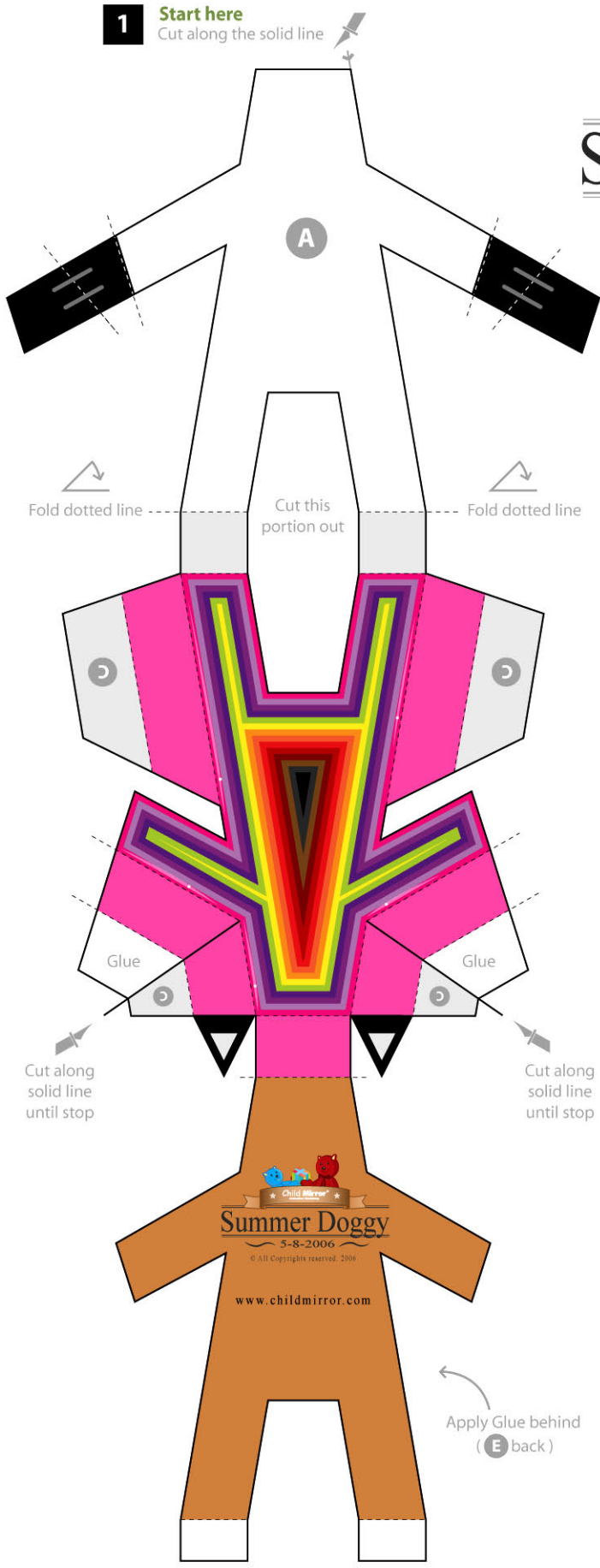
C Front

D Top

E Back

F Stand

Summer Doggy (Size) : 80mm (H) x 65mm (W)



Apply adhesive to footprint to help Summer Doggy to stand.

Caution: Always cut with a sharp knife to avoid damage to your Summer Doggy and for children please ask assistance from your parents.