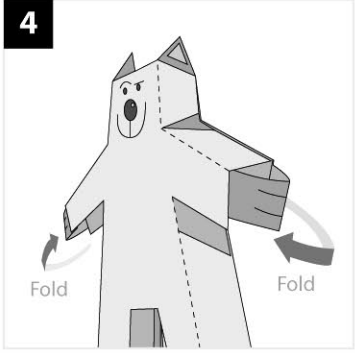
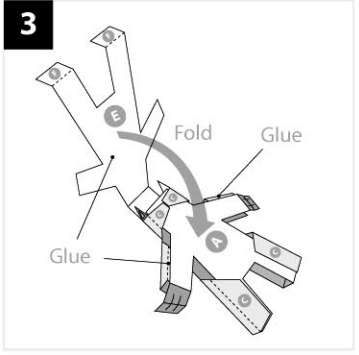
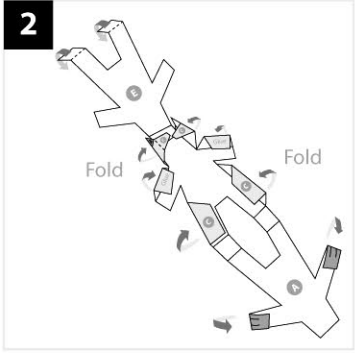
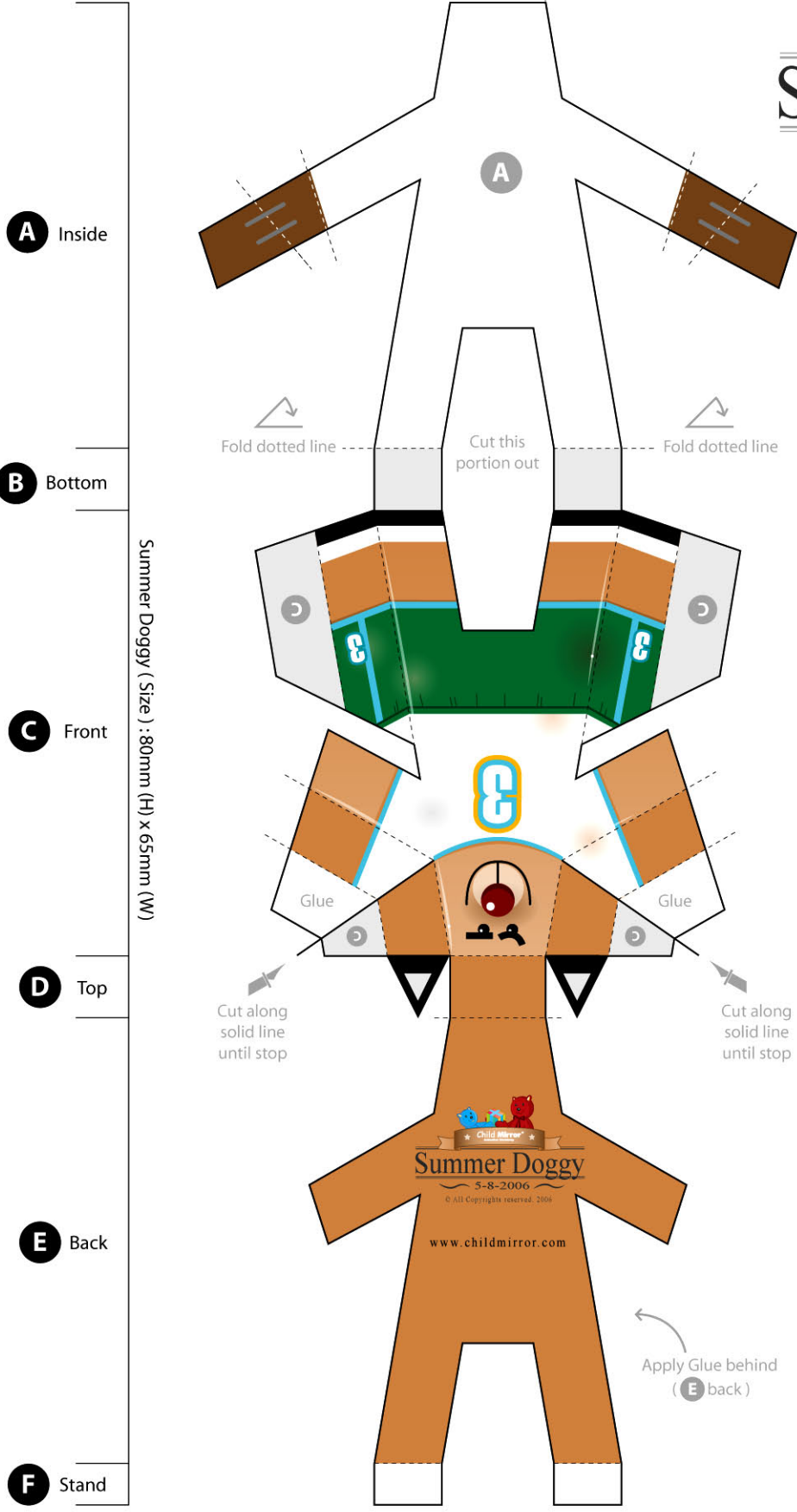




# Summer Doggy

5-8-2006

**1** Start here  
Cut along the solid line



Apply adhesive to footprint to help Summer Doggy to stand.

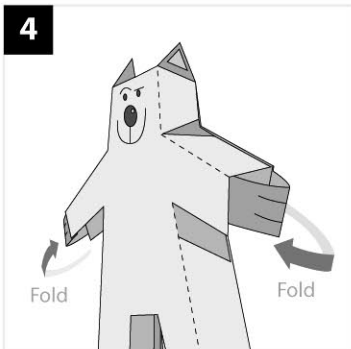
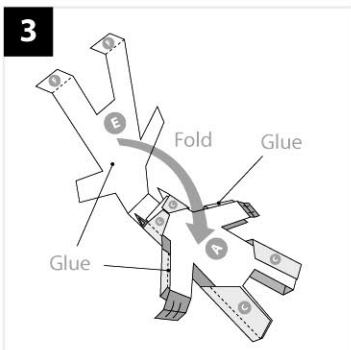
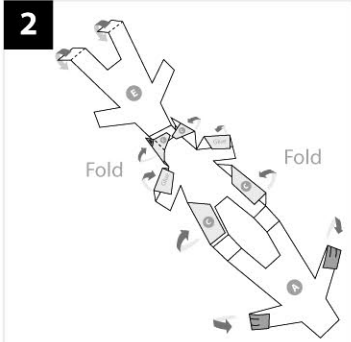
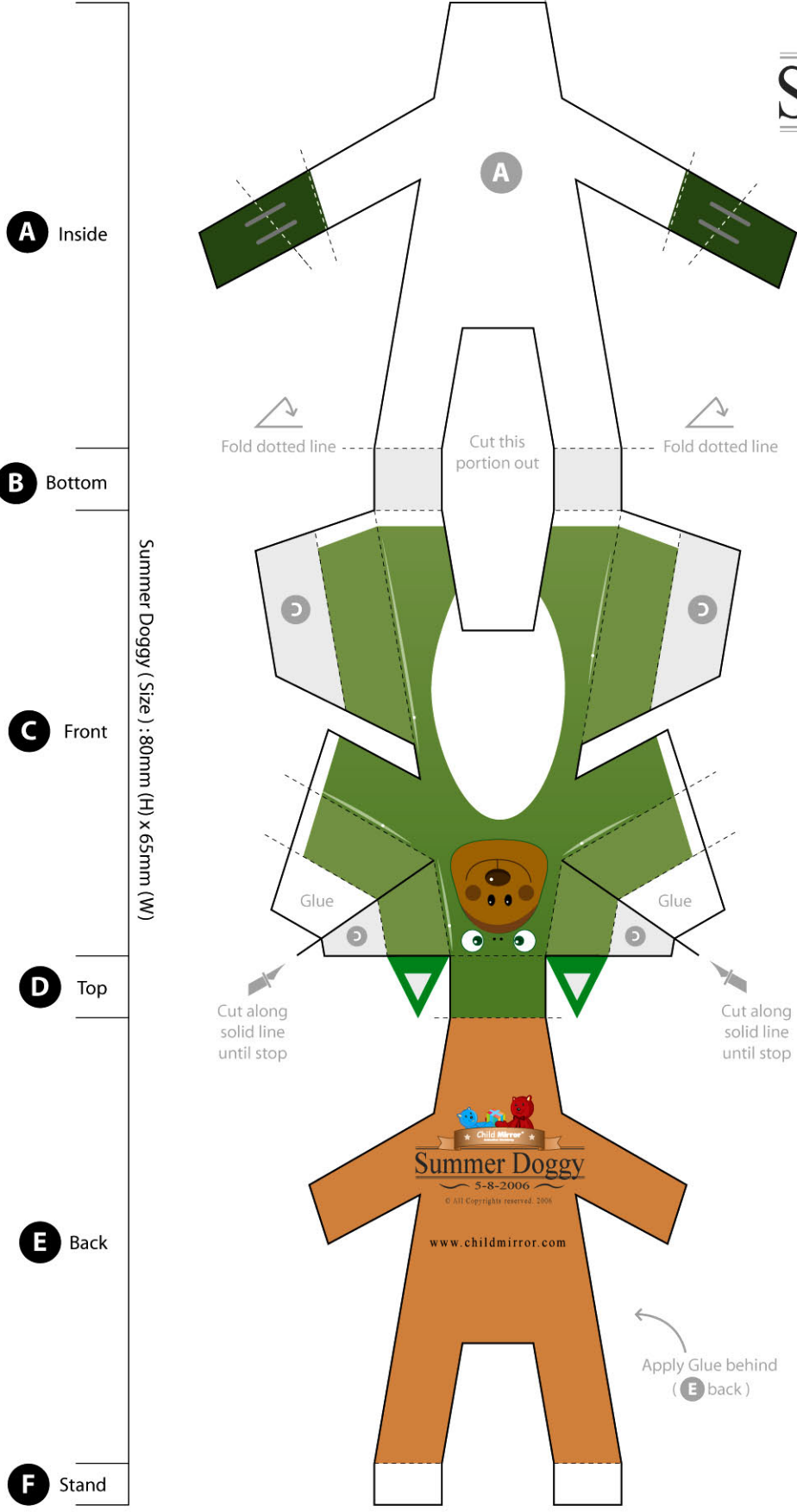
**Caution:** Always cut with a sharp knife to avoid damage to your Summer Doggy and for children please ask assistance from your parents.



# Summer Doggy

5-8-2006

**1** Start here  
Cut along the solid line



Apply adhesive to footprint to help Summer Doggy to stand.

**Caution:** Always cut with a sharp knife to avoid damage to your Summer Doggy and for children please ask assistance from your parents.



Child Mirror<sup>®</sup>  
Animation Workshop

# Summer Doggy

5-8-2006

**1** Start here  
Cut along the solid line

**A** Inside

**B** Bottom

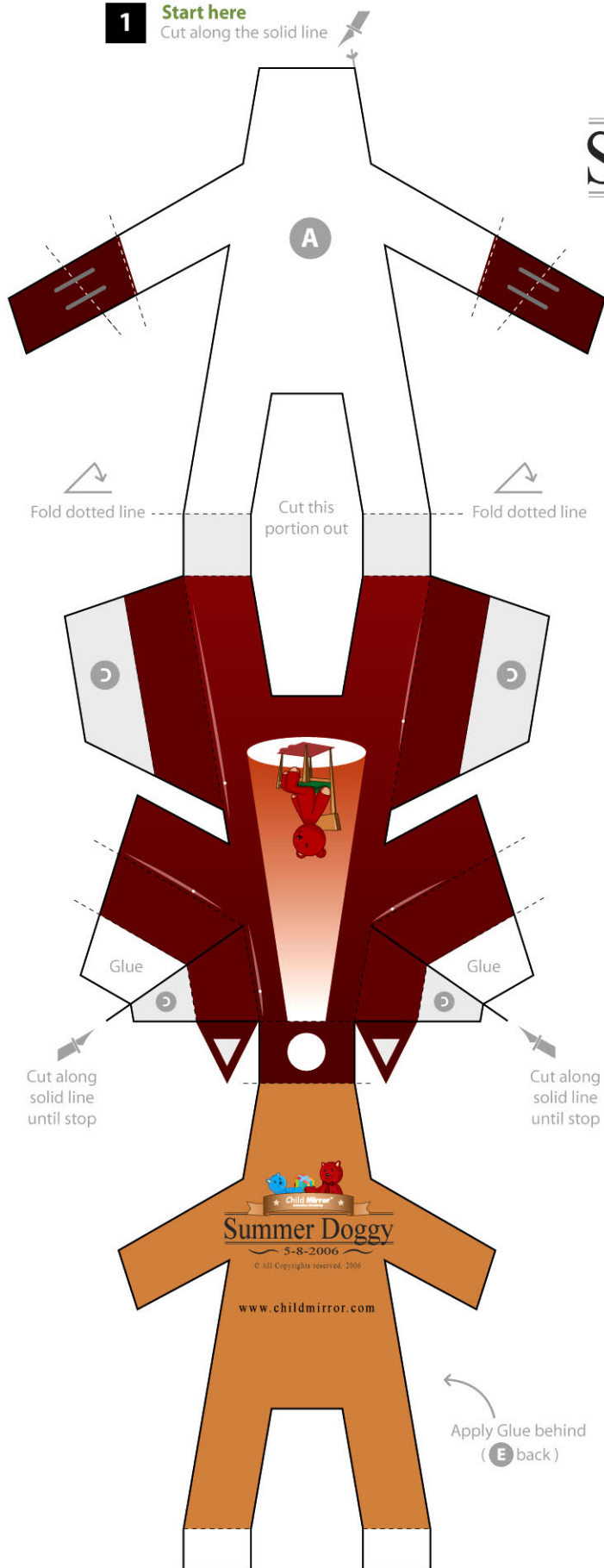
**C** Front

**D** Top

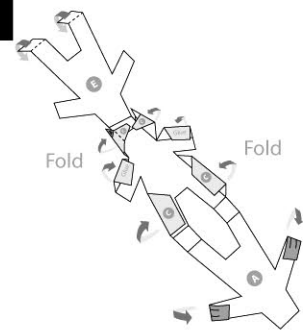
**E** Back

**F** Stand

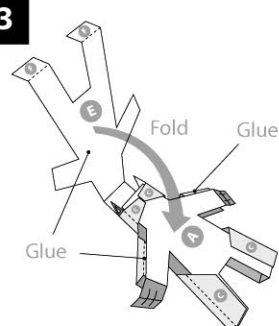
Summer Doggy ( Size ) : 80mm (H) x 65mm (W)



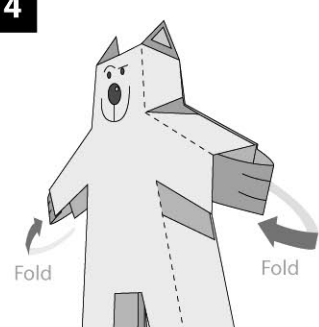
**2**



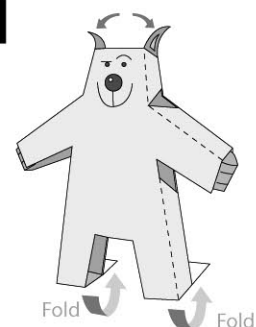
**3**



**4**



**5**



Apply adhesive to footprint to help Summer Doggy to stand.

**Caution:** Always cut with a sharp knife to avoid damage to your Summer Doggy and for children please ask assistance from your parents.