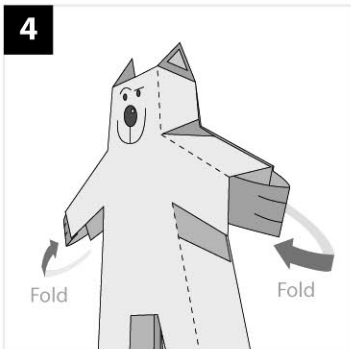
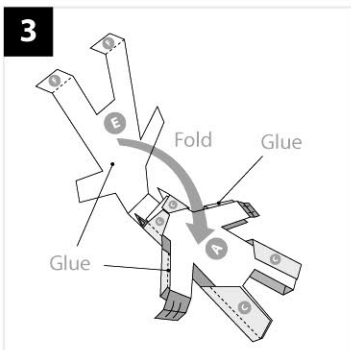
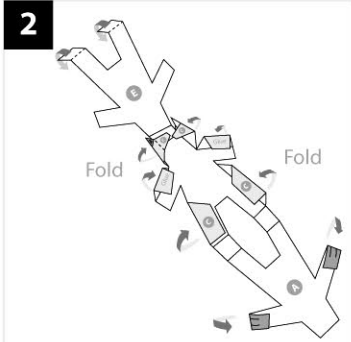
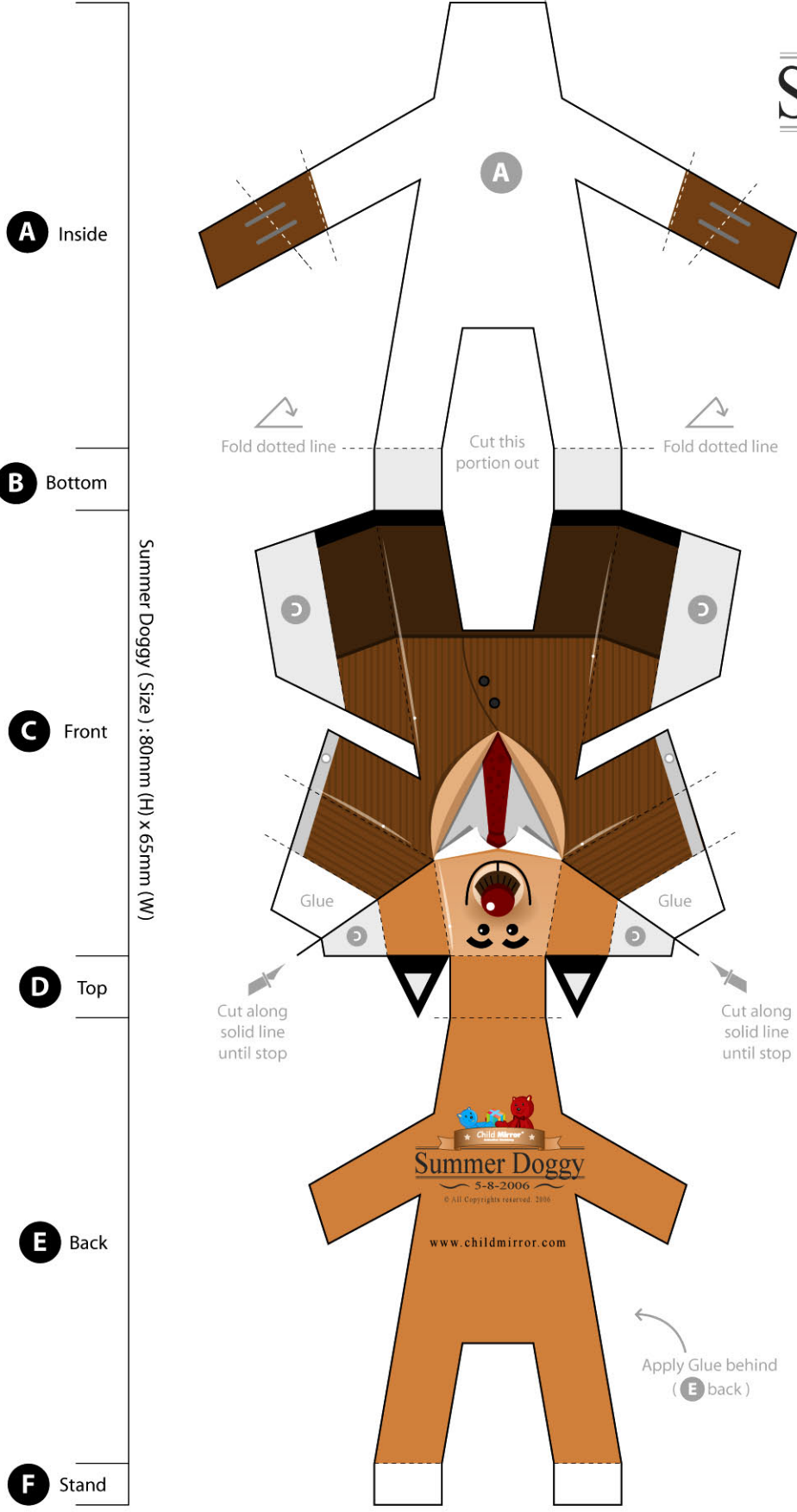




# Summer Doggy

5-8-2006

**1** Start here  
Cut along the solid line



Apply adhesive to footprint to help Summer Doggy to stand.

**A** Inside

**B** Bottom

**C** Front

**D** Top

**E** Back

**F** Stand

Summer Doggy ( Size ) : 80mm (H) x 65mm (W)

**Caution:** Always cut with a sharp knife to avoid damage to your Summer Doggy and for children please ask assistance from your parents.



Child Mirror<sup>®</sup>  
Animation Workshop  
**Summer Doggy**  
5-8-2006

**1** Start here  
Cut along the solid line

**A** Inside

**B** Bottom

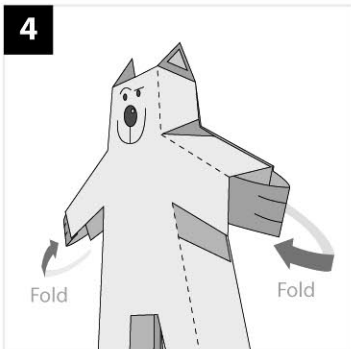
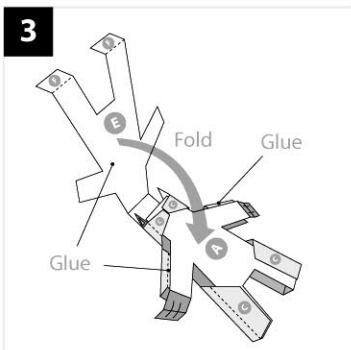
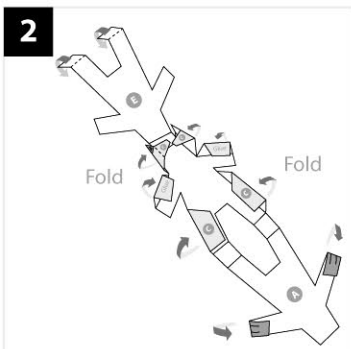
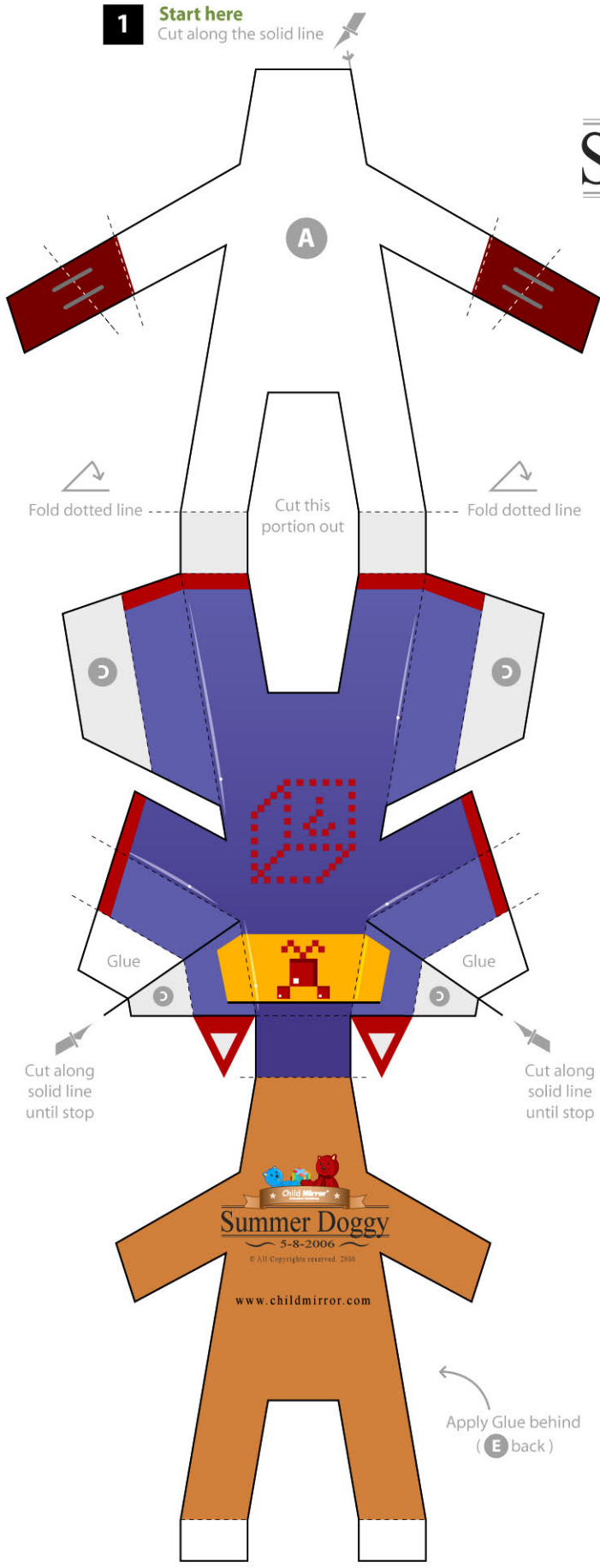
**C** Front

**D** Top

**E** Back

**F** Stand

Summer Doggy ( Size ) : 80mm (H) x 65mm (W)



Apply adhesive to footprint to help Summer Doggy to stand.

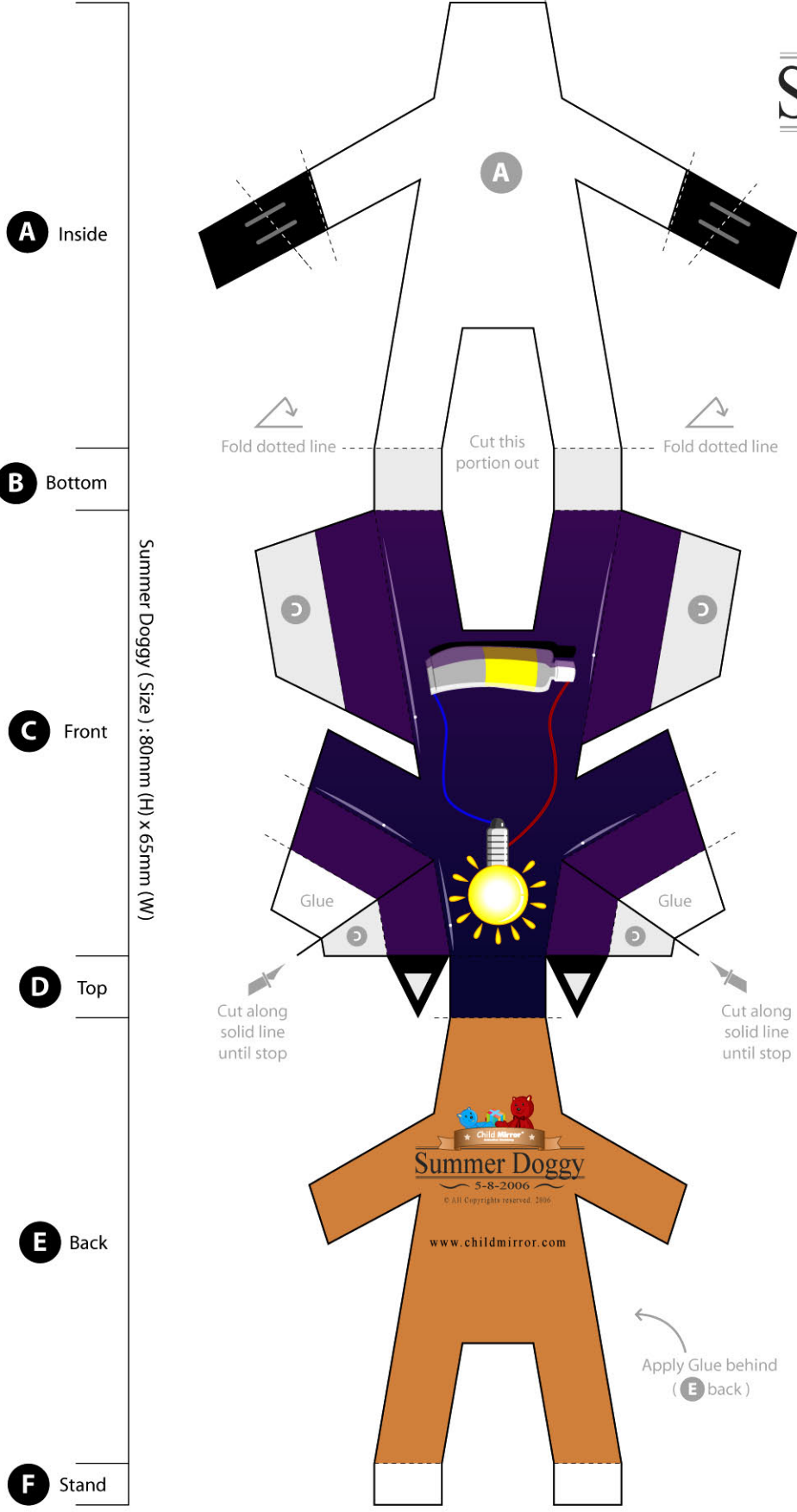
**Caution:** Always cut with a sharp knife to avoid damage to your Summer Doggy and for children please ask assistance from your parents.



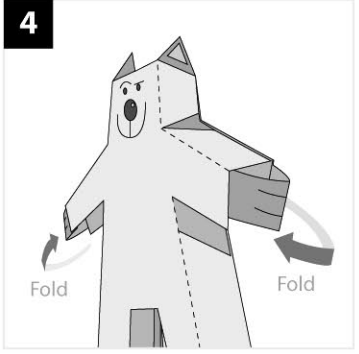
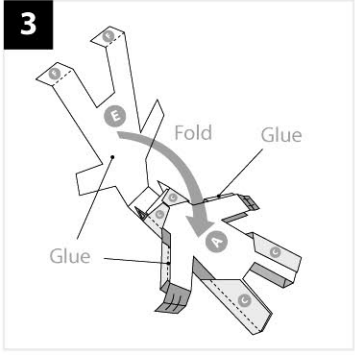
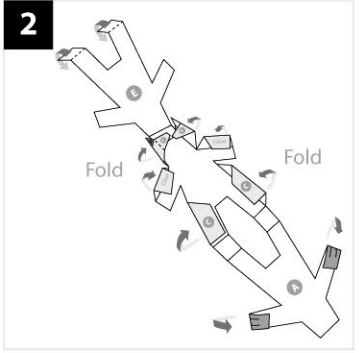
# Summer Doggy

5-8-2006

**1** Start here  
Cut along the solid line



Summer Doggy ( Size ) : 80mm (H) x 65mm (W)



Apply adhesive to footprint to help Summer Doggy to stand.

**Caution:** Always cut with a sharp knife to avoid damage to your Summer Doggy and for children please ask assistance from your parents.